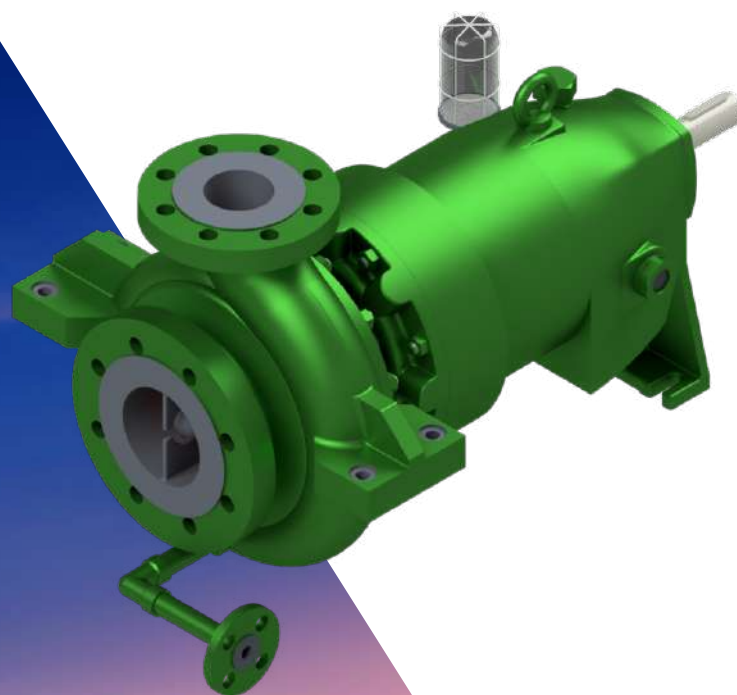


Process pump
with magnetic coupling



Type PRM

- API 685 Standard
- Heavy Duty Design
- easy to maintain, high life expectancy



Applications

- | | |
|---|-------------------------------------|
| Oil & Gas | <input checked="" type="checkbox"/> |
| Chemistry & Petrochemistry | <input checked="" type="checkbox"/> |
| Offshore | <input checked="" type="checkbox"/> |
| Ship technology & Marine | <input checked="" type="checkbox"/> |
| Refueling equipment & Aviation | <input type="checkbox"/> |
| Industrial heating systems & Heat carriers | <input type="checkbox"/> |
| Tank storages & Tank farms | <input type="checkbox"/> |
| Renewable energy
& Enviromental Technology | <input checked="" type="checkbox"/> |

Process pump with magnetic coupling

Type PRM

The PRM is a volute casing pump in process design with magnetic coupling. The pumps meet the requirements of API 685 and are particularly easy to maintain with a long life expectancy. The pump has a permanent magnetic coupling, and the containment can hermetically seals the pumped medium from the outside. An internal circulation flow dissipates the heat generated by the eddy current losses. The volute housing has sturdy cast-on supports for a center-axis suspension and a welded and flanged discharge. The heavy duty design makes the PRM ideally suited for difficult operating positions.

Design

Pumptype	Volute casing pump
Stages	single-staged
Sealing	Magnetic coupling
Set-up	horizontal
Self-priming	no
Bearings	Rolling bearings / plain bearings
Lubrication	Oil

Material

Austenitic cast steel (1.4408/1.4571), duplex (1.4517), Ni-based (2.4686)

Technical data

Q max	1400 m ³ /h**
H max	250 m**
Operating pressure	40 bar*
Temperature	250°C*
max rotational speed	3500 min ⁻¹

* higher temperatures and pressures on request

** depending on size and speed

Norm

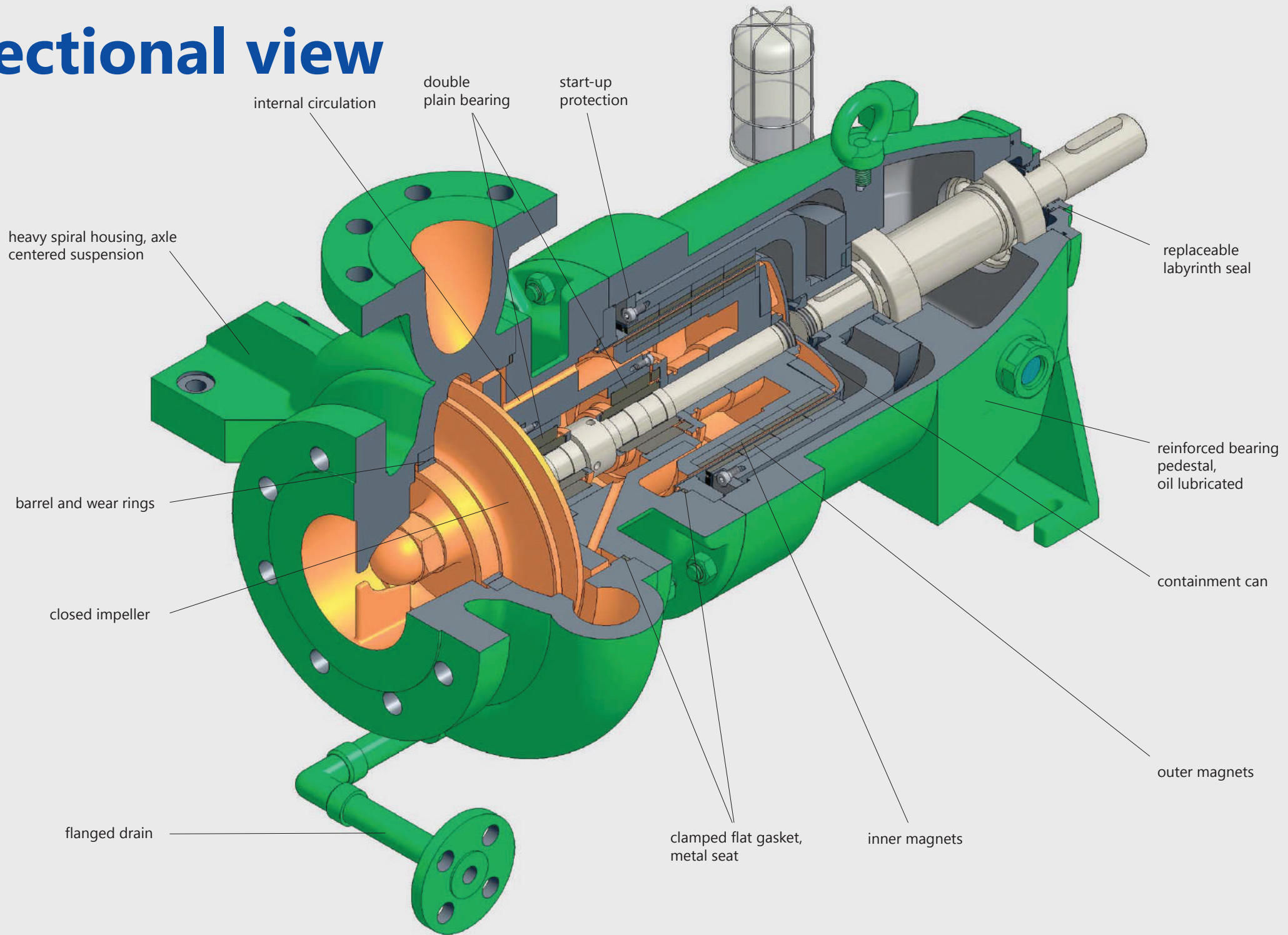
ISO 2858 / ISO 15783 / API 685

Explosion protection: Category 2 / Zone 1

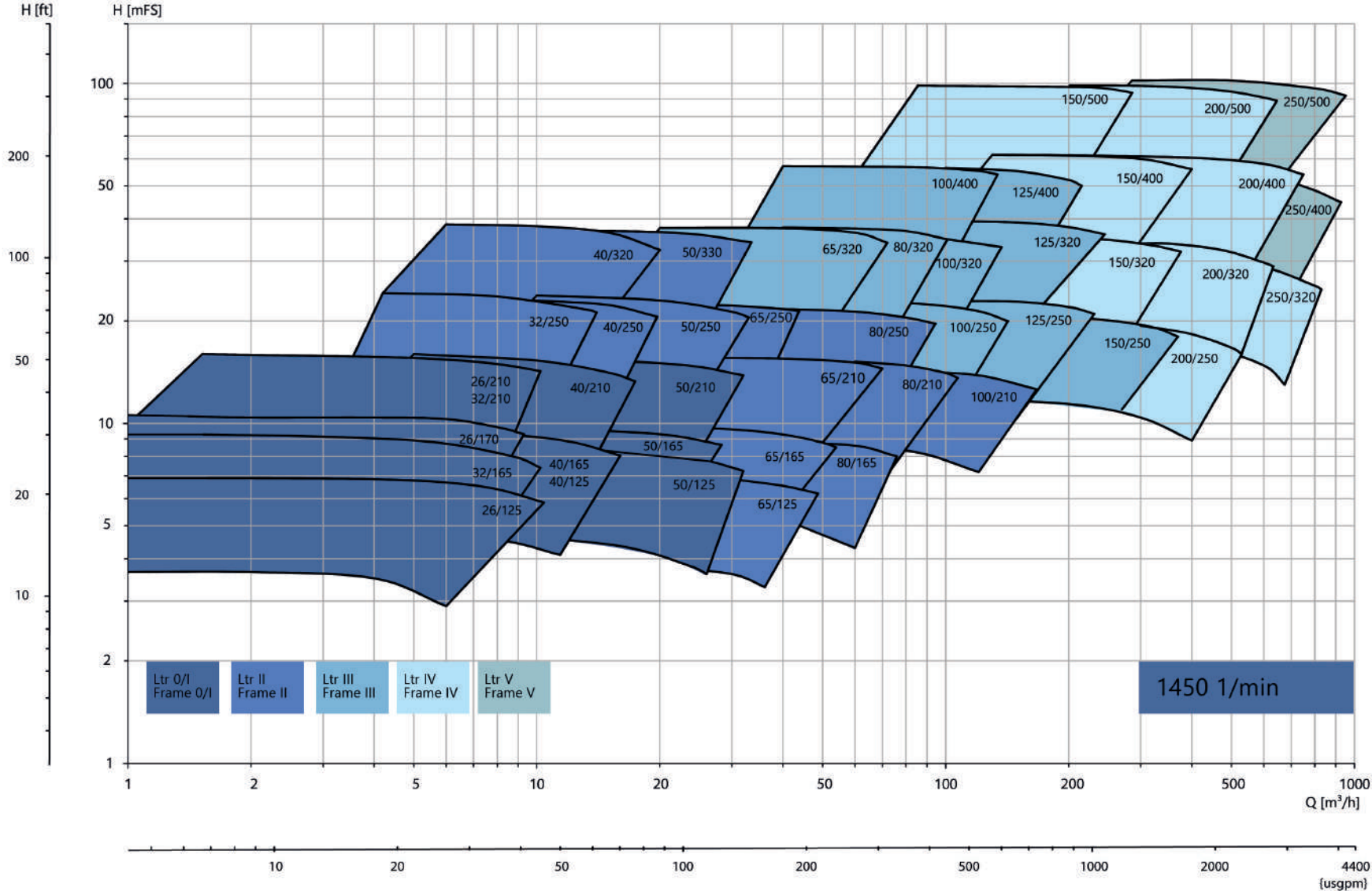
Weitere
Informationen



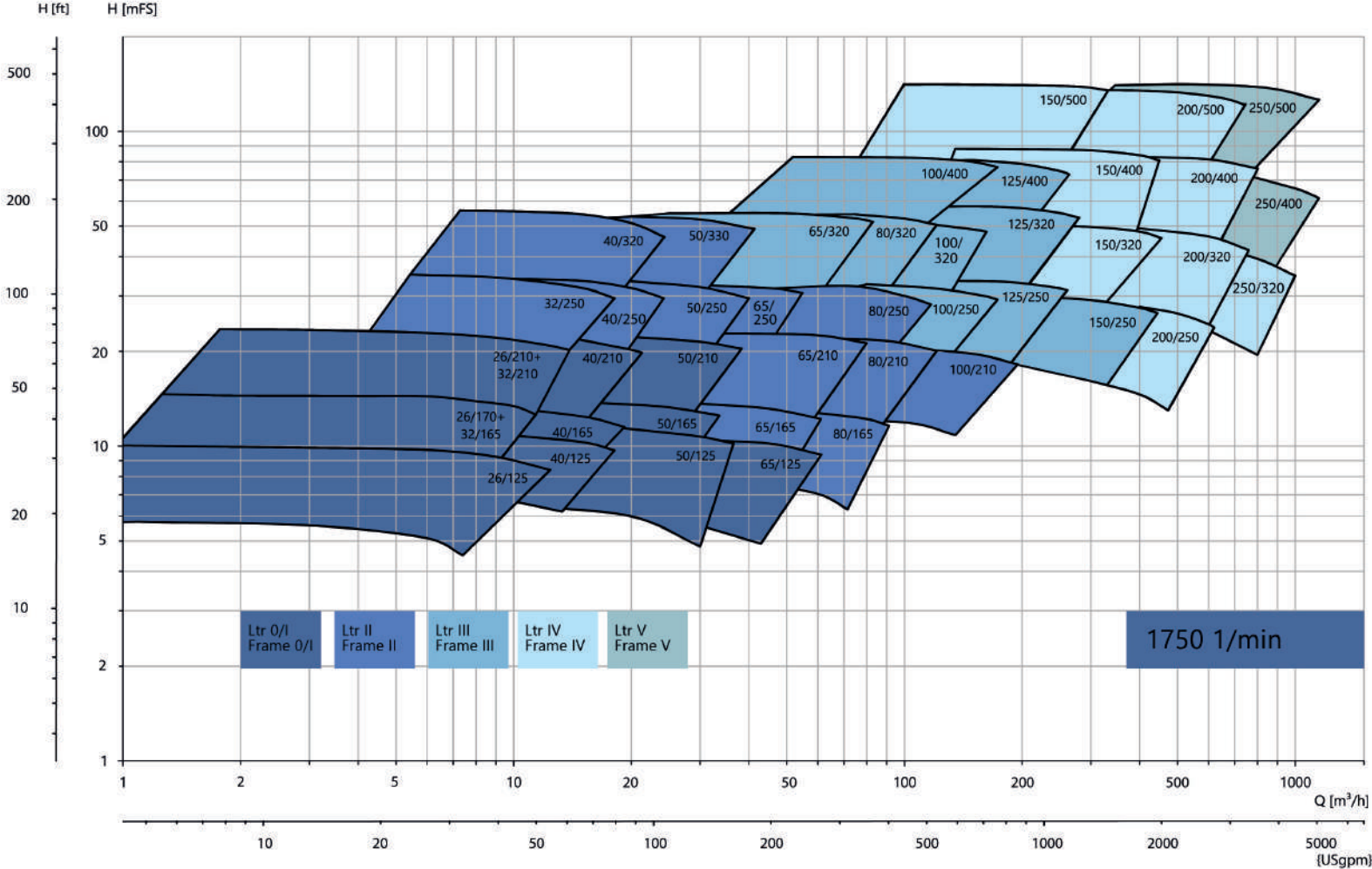
Sectional view



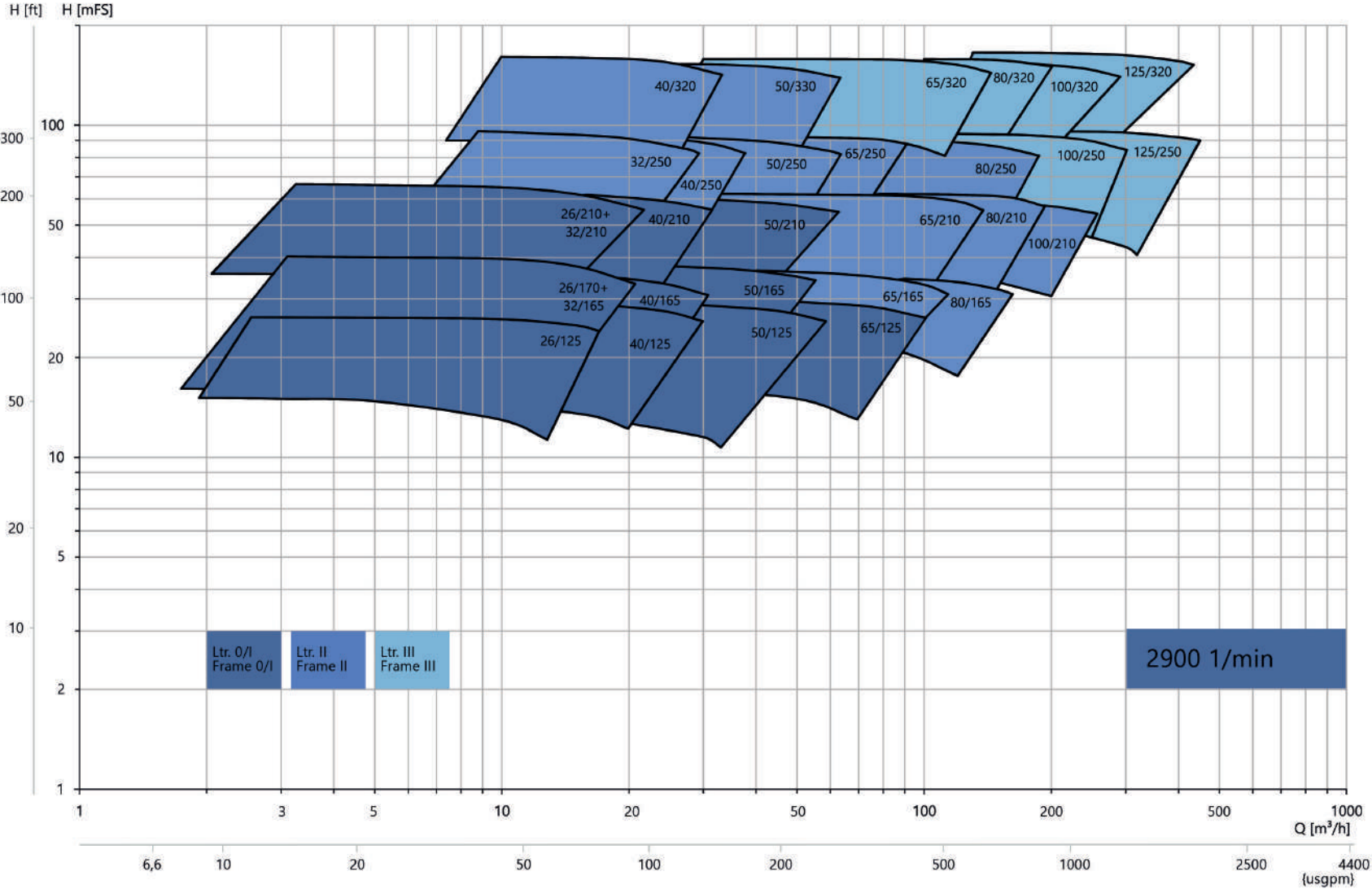
Characteristic curves



Characteristic curves



Characteristic curves



Characteristic curves

