

**YOUR BENEFIT:**

- Submersible length up to 6 m
- Mechanical coupling is no longer required
- Wide range of variants

SUBMERSIBLE PUMP WITH MAGNETIC COUPLING  
**NMT**+SPECIAL DESIGN FOR ZONE 0

## SUBMERSIBLE PUMP NMT

### Description / Application

The type NMT is a volute casing submersible pump with shaft seal according to the principle of the two-pipe pump, i. e. separate shaft sealing pipe and pressure pipe. The hydraulic pump part is arranged in the container or in the pumped medium.

The connection is made by a multi-level shaft and pipe string. With the NMT, submersible length of up to 6 meters are possible with a flow rate of up to 1000 m<sup>3</sup>/h [4400 gpm].

The pump has a permanent magnet coupling, and the containment shell hermetically seals the fluid to the outside. The direct mounting of the drive motor eliminates additional bearings and the mechanical coupling.

### Applications

- Oil & Gas
- Chemistry & Petrochemistry
- Offshore
- Ship technology & Marine
- Refueling equipment & Aviation
- Tank storages & Tank farms
- Renewable energy & Environmental Engineering

Info NMT



## SUBMERSIBLE PUMP NMT

### Technical Data

#### Design

|              |                    |
|--------------|--------------------|
| Pump type    | Volute casing pump |
| Stages       | Single-stage       |
| Sealing      | Magnetic coupling  |
| Set-up       | Vertical           |
| Self-priming | No                 |
| Bearings     | Sleeve bearing     |
| Lubrication  | Grease             |

#### Material

Spheroidal graphite iron (EN-GJS) / Cast steel (GP-240 GH), Austenitic cast steel (1.4408/1.4571), Duplex (1.4517), Ni-Based (2.4686)

#### Technical Data

|                      |                                   |
|----------------------|-----------------------------------|
| Q max*               | 1000 m <sup>3</sup> /h [4400 gpm] |
| H max*               | 250 m [820 ft]                    |
| Operating pressure** | 16 bar [232 psi/1.6 MPa]          |
| Temperature**        | 200°C [390°F]                     |
| max. speed           | 3500 rpm                          |

\* depending on size and speed

\*\* higher temperatures and pressures on request

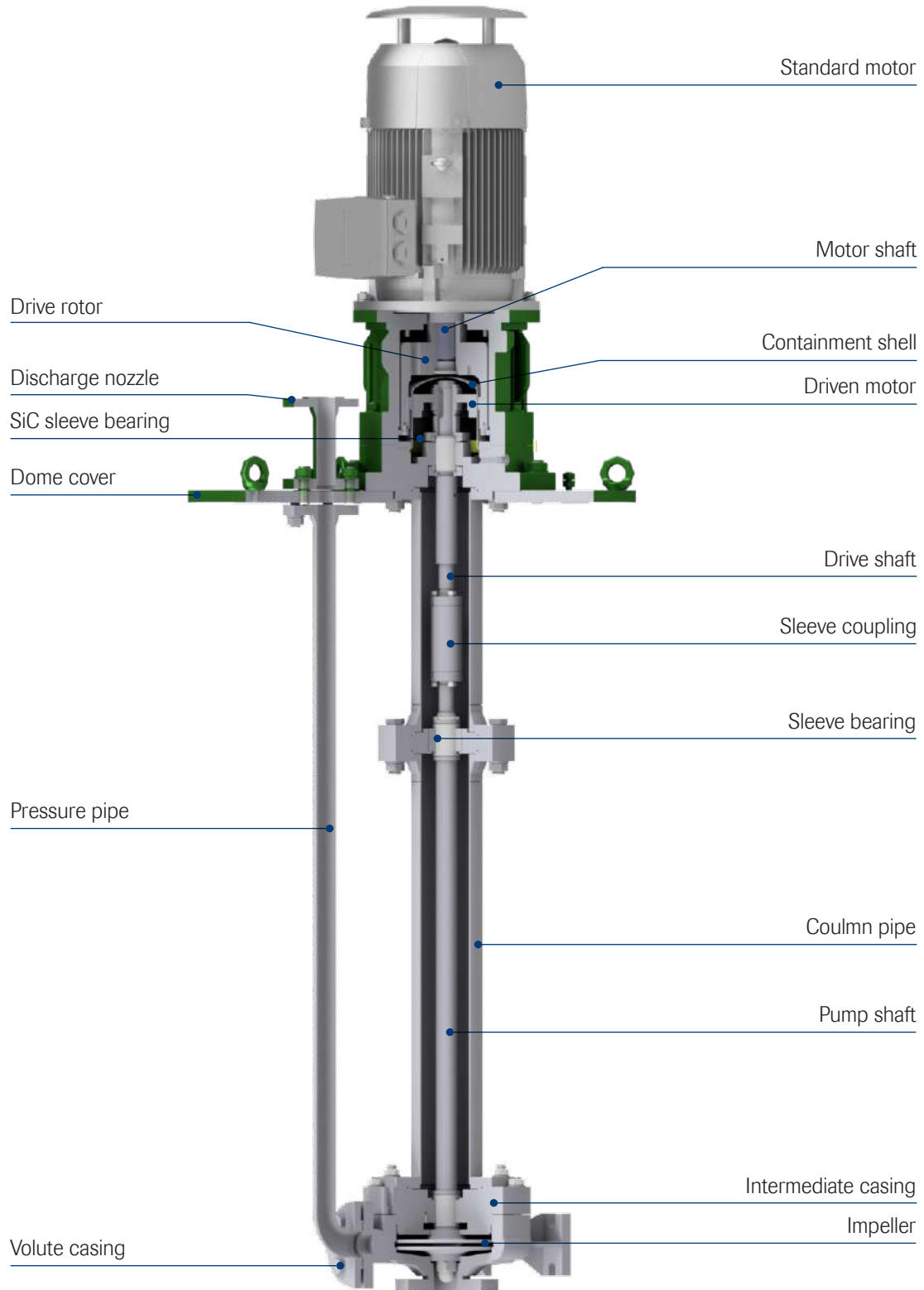
#### Norm

ISO 2858 / ISO 15783

Explosion protection Category 1 / Zone 0

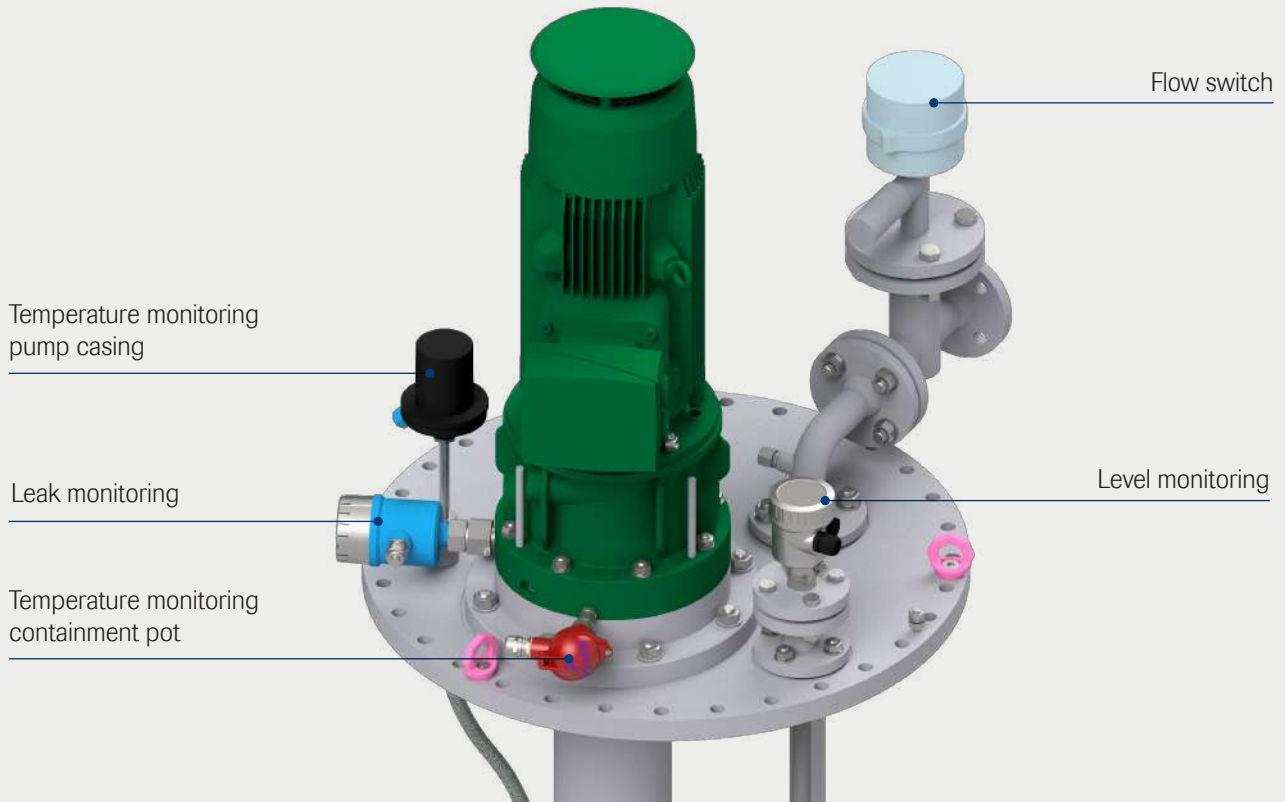
# SUBMERSIBLE PUMP NMT

## Sectional View / Standard Design



# SUBMERSIBLE PUMP NMT CAT.1

Type-tested  
ATEX-design





## SUBMERSIBLE PUMP NMT CAT.1

**Type-tested  
ATEX-design**

Category 1 - Submersible pumps are used to pump flammable, light flammable and highly flammable liquids from zone 0. The liquids must belong to temperature classes T1 to T4.

An EU type-examination certificate issued by the notified body confirms compliance with the essential health and safety requirements of the Explosion Directive for the design of these submersible pumps.

### **Diverse security concept**

A level monitor in the tank ensures that there is sufficient liquid coverage during operation of the pump. A flow switch ensures a defined minimum flow rate. Temperature monitoring on the pump body prevents the pump casing from heating up excessively. The entire safety chain must be checked regularly as part of maintenance measures. With this concept, the failure of a monitoring device is to be viewed as a rare malfunction. The simultaneous failure of several monitoring devices is sufficiently unlikely.

**Address**

Dickow Pumpen  
GmbH & Co. KG  
Siemensstrasse 22  
D-84478 Waldkraiburg

**Phone**

+49 (0)8638 602-0

**Internet**

info@dickow.de  
www.dickow.de

Homepage:

